

Articulating Headpiece

Low profile, dual articulating headpiece and adjustable height assures unmatched surgeon access.

ELEVATED



LEVEL



TILT UP



TILT DOWN



TMM5 STRETCHER-CHAIR PACKAGES:

Package chairs are specific to medical specialty and cost less than ordering the chair with these options and accessories individually. Packages available in Blue Fashion II Fabric only.



TM9 TMM5-TB or TMM5-TEB OPHTHALMOLOGY CHAIR PACKAGE

- | | |
|-----------------|-------------------------|
| OPTIONS | ACCESSORIES |
| T - Tall Column | • Adjustable Slope |
| B - Battery | • Wrist Rest |
| (E - Export) | • Air Delivery |
| | • Lap Belt |
| | • Telescoping I.V. Pole |
| | • Oxygen Tank Holder |
| | • Surgical Support Leg |

TM10 TMM5-XTB PLASTIC SURGERY CHAIR PACKAGE

- | | |
|-----------------|-------------------------|
| OPTIONS | ACCESSORIES |
| X - Seat Tilt | • 2 Armboards |
| T - Tall Column | • Lap Belt |
| B - Battery | • Telescoping I.V. Pole |
| | • Oxygen Tank Holder |
| | • Surgical Support Leg |

TM12 TMM5-TB ENT CHAIR PACKAGE

- | | |
|-----------------|-------------------------|
| OPTIONS | ACCESSORIES |
| T - Tall Column | • Lap Belt |
| B - Battery | • Telescoping I.V. Pole |
| | • Oxygen Tank Holder |
| | • Foot Rest Pad |

General Specifications

MODELS PACKAGES	MODEL TMM5-B	MODEL TMM5-WTB	MODEL TMM5-XB
SEAT HEIGHT - LOW (BELOW CUSHION)	21"/53 CM	21"/53 CM	21"/53 CM
SEAT HEIGHT - LOW (ABOVE CUSHION)	25"/63 CM	25"/62 CM	25"/63 CM
SEAT HEIGHT - HIGH	33"/84 CM	40"/102 CM	33"/84 CM
PATIENT SEAT WIDTH	24"/61 CM	28"/71 CM	24"/61 CM
PATIENT SURFACE LENGTH	79"/201 CM	79"/201 CM	75"/189 CM
OVERALL WIDTH	30"/76 CM	30"/76 CM	30"/76 CM
OVERALL CHAIR HEIGHT - HIGH	64"/163 CM	71"/181 CM	65"/165 CM
OVERALL CHAIR HEIGHT - LOW	56"/142 CM	56"/141 CM	57"/145 CM
MAX PATIENT WEIGHT	500 LBS/227 KG	500 LBS/227 KG	500 LBS/227 KG
BACKREST ARTICULATION	0° TO 75°	0° TO 75°	0° TO 86°
TRENDELENBURG	5°	5°	20°/5° REV.
SIDE RAILS - HEIGHT	13"/33 CM	13"/33 CM	13"/33 CM
SIDE RAILS - LENGTH	26"/66 CM	26"/66 CM	26"/66 CM
CHARGING SYSTEM			
INPUT - VOLTS	100-240VAC	100-240VAC	100-240VAC
- CURRENT	1.0A (MAX)	1.0A (MAX)	1.0A (MAX)
- FREQUENCY	50/60 HZ	50/60 HZ	50/60 HZ
OUTPUT	+24V DC 1.5A	+24V DC 1.5A	+24V DC 1.5A
MAX POWER	36.0W	36.0W	36.0W
CUSHION FLAMMABILITY RATING	TB-117	TB-117	TB-117



ISO 9001:2008 CERTIFIED
PATENTED

* "L" Option reduces each standard and tall height by -1.5"

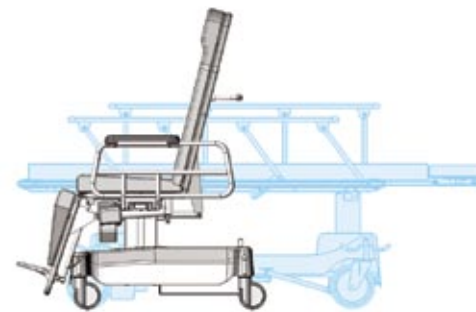
Free Demonstrations Available

WWW.TRANSOTIONMEDICAL.COM

1441 Wolf Creek Trail • P.O. Box 302 • Sharon Center, OH 44274
Phone: 330-239-4192 or 866-860-8447 (toll-free, U.S.) • Fax: 330-590-8111
info@TransMotionMedical.com

* BROCHURE CONTENT SUBJECT TO CHANGE WITHOUT NOTICE.

Compact Footprint



TMM FOOTPRINT

TYPICAL STRETCHER FOOTPRINT

Space saving design allows for easy maneuvering through narrow hallways and into small procedure rooms. In addition, the design allows for more units in a given facility as well as easier storage.

TransMotion Medical, Inc.
is a subsidiary of



0412 5.500



Safe Patient Handling

TMM5 MOBILE SURGICAL STRETCHER-CHAIR SERIES

One Patient, One Surface™
from admission to discharge.

TransMotion Medical's TMM5 Surgical Stretcher-Chairs can be configured with numerous options and accessories to meet your department's needs.

This series provides superior surgeon access, a comfortable patient surface with articulating head piece, and most importantly features motorized positioning for safe patient handling.

Patients can go from pre-op, to procedure, to post-op on one surface, thus reducing transfers. This allows you to streamline and improve patient throughput for increased productivity, netting a return on investment that is measured in months not years.

These chairs are designed for the demanding areas of:

- OPHTHALMOLOGY
- PLASTIC SURGERY
- OUTPATIENT SURGERY
- ENT
- ORAL SURGERY
- HAND SURGERY
- EMERGENCY (EYE/ENT ROOM)

ADMISSION



TRANSPORT



SURGERY



DISCHARGE



- Eliminate patient transfers
- Eliminate manual patient positioning
- Reduce staff injury and patient fall risk

WWW.TRANSOTIONMEDICAL.COM

866-860-8447 • info@transmotionmedical.com
Sharon Center, OH

TMM5 MOBILE SURGICAL STRETCHER-CHAIR SERIES

Standard Features – All Models

- **500 LB PATIENT WEIGHT CAPACITY**
- **ARTICULATING HEADPIECE** can be positioned from 30° elevated to 60° lowered. This is accomplished using two levers that are tucked away in the back of the headpiece
- **SELF-STORING PUSH BARS** that swing out of the way
- **QUICK CHANGE BATTERY – (B)** Two battery packs come with each chair allowing one battery to always be charging on a wall-mount battery charger also included.
- **MANUAL QUICK RELEASE BACKREST** for emergency CPR function
- **EXCEPTIONAL MOTORIZED PATIENT POSITIONING** accomplished by a hand held pendant for back, leg and high-low adjustment. Includes an auto-contour button which automatically positions the chair from seated to the fully reclined position. Features 5° Trendelenburg
- **CUSHIONS** with memory foam for enhanced patient comfort
- **PADDED CHROME SIDE RAILS** that swing down and tuck away makes patient egress easier and safer
- **ALL METAL SURFACES** for a long durable life
- **AUTO-EXTENDING FOOT REST** improves patient comfort in all positions
- **EASY MOBILITY** brake and steer caster system



Ophthalmology
Plastic Surgery
Outpatient Surgery

Base Options



DOUBLE COLUMN
STANDARD -
SEAT HEIGHT - 25" - 33"



TRIPLE COLUMN
T - TALL
SEAT HEIGHT - 25" - 40"

L - LOWER SEAT HEIGHT
(24" - 32" / SHORTER LEG SECTION)



A - PLUG-IN



E - EXPORT PLUG-IN

Back Options



STANDARD -
24" WIDTH



W - WIDE
28" WIDTH

Leg Section Options



STANDARD -
AUTO EXTENDING
FOOT REST



NO FOOT REST
(AVAILABLE WITH X OPTION ONLY)



F - MANUAL
SELF-STORING
FOOT REST

ENT
Oral Surgery
Hand Surgery

ALL TMM STRETCHER-CHAIRS COME IN BLUE FUSION II 4-WAY STRETCH FABRIC. OPTIONAL COLORS, CUSTOM COLOR VINYL, AND ACCESSORIES ALSO AVAILABLE FOR PURCHASE.
Visit our web site:
WWW.TRANSMOTIONMEDICAL.COM

TMM5-X



X - SEAT TILT

Featuring the sought after motorized knee-flex positioning perfect for many outpatient surgery procedures and pressure point relief for patients

How an "X" differs from a standard TMM5:

- 3" LONGER WHEEL BASE
- PATIENT SURFACE LENGTH IS 75"
- BRAKES LOCATED IN MIDDLE
- NO FOOT REST
- SURGICAL SUPPORT LEG ACCESSORY INCLUDED
- STANDARD IS 20° OF FULL BODY TRENDLENBURG TO 5° REVERSE TRENDLENBURG. IF "R" - UPPER RAILS ARE ADDED TO "X" OPTION, REDUCES TRENDLENBURG BY 10°.

