

TMM3

STRETCHER-CHAIR PACKAGE:

Package chairs are specific to medical specialty and cost less than ordering the chair with these options and accessories individually. Packages available in Blue Fashion II Fabric only.



TM15 TMM3-B TMM3-EB RADIOLOGY PROCEDURE CHAIR PACKAGE

OPTIONS

- B - Battery
- (E - Export Plug-in)

ACCESSORIES

- Back Extension
- Head, Torso, Leg Belts
- Telescoping I.V. Pole
- Oxygen Tank Holder

General Specifications

MODEL	TMM3-B/TMM3-EB
SEAT HEIGHT - LOW (BENEATH CUSHION)	21" / 53 CM
SEAT HEIGHT - LOW (ABOVE CUSHION)	25" / 64 CM
SEAT HEIGHT - HIGH	33" / 84 CM
PATIENT SEAT WIDTH	24" / 61 CM
PATIENT BACK WIDTH (TMM3)	15" / 38 CM
PATIENT BACK WIDTH (W/ EXTENSION)	24" / 61 CM
RADIOLOGENT WINDOW	13" W X 25" L / 33 X 64 CM
OVERALL WIDTH	30" / 76 CM
PATIENT SURFACE LENGTH	77" / 195 CM
OVERALL CHAIR HEIGHT - LOW	56" / 142 CM
OVERALL CHAIR HEIGHT - HIGH	63" / 161 CM
MAX PATIENT WEIGHT	350 LBS / 158KG
BACK ARTICULATION	90°
SIDE RAIL HEIGHT	12" / 30 CM
SIDE RAIL LENGTH	21" / 54 CM
BASE LENGTH	30" / 76 CM
BASE LENGTH "S"	26" / 66 CM
BATTERY PACK	
VOLTS	24 VDC
CAPACITY	4.5 AHR
CHARGING SYSTEM	
INPUT - VOLTS	100-240VAC
- CURRENT	1.0A (MAX)
- FREQUENCY	50/60 HZ
OUTPUT	+24V DC 1.5A
MAX POWER	36.0W
FLAMMABILITY RATING	TB-117

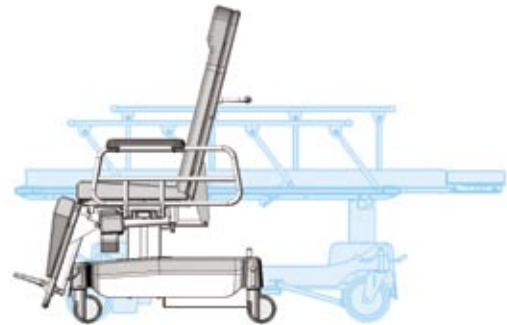
WWW.TRANSOTIONMEDICAL.COM

1441 Wolf Creek Trail • P.O. Box 302 • Sharon Center, OH 44274
Phone: 866-860-8447 (U.S. Only) • 330-239-4192 • Fax: 330-590-8111
info@TransMotionMedical.com

* BROCHURE CONTENT SUBJECT TO CHANGE WITHOUT NOTICE.



Space Saving Footprint



TMM FOOTPRINT
TYPICAL STRETCHER FOOTPRINT

When in seated position, the TMM3 requires half the space of a traditional stretcher and is easy to navigate through hallways, rooms, elevators and other close quarters.



BACK EXTENSION



PEDIATRIC TUMBLE FORM AND MOUNTING STRAPS
AVAILABLE IN SMALL, MEDIUM AND LARGE



TMM3 Optional Accessories

- BACK EXTENSION (PICTURED)
- PEDIATRIC TUMBLE FORM AND MOUNTING STRAPS (PICTURED)
- TELESCOPING I.V. ROD
- OXYGEN TANK HOLDER

Free Demonstrations Available



TransMotion Medical, Inc.
is a subsidiary of
EBO Group
Employee Owned Companies

0312 5,000



TMM3 VIDEO FLUOROSCOPY SWALLOW STUDY TREATMENT CHAIR

For use in Diagnostic Imaging, Rehab Services and Speech Pathology Departments

The TMM3 is a Video Fluoroscopy Swallow Study Stretcher-Chair with innovative motorized patient positioning that reduces the modified barium swallow (MBS) study procedure time and increases your fluoroscopy suite productivity.

This is the only swallow study chair that enables motorized patient positioning during procedures. Its 90° rotating seat feature permits both lateral and anterior-posterior (A/P) imaging. The TMM3 also converts from chair to stretcher with back, leg and height adjustment at the push of a button. It's a transport device, procedure chair, and stretcher all in one!

Versatile, it can also be utilized with a C-arm, mammography (for patients requiring seated position), stereotactic breast biopsy procedures, ultrasound and other departments including:

- RADIOLOGY
- DIAGNOSTIC IMAGING
- MAMMOGRAPHY
- SPEECH THERAPY
- REHABILITATION SERVICES
- TRANSPORT

- Reduce in-patient transfers by 50%
- Eliminate manual positioning
- Reduce staff injury and patient fall risk
- Improve patient throughput

Safe Patient Handling



WWW.TRANSOTIONMEDICAL.COM

866-860-8447 • info@transmotionmedical.com
Sharon Center, OH

TMM3 VIDEO FLUOROSCOPY SWALLOW STUDY TREATMENT CHAIR

Standard Features

- **350 LB PATIENT WEIGHT CAPACITY**
- **FULL RADIOLUCENT BACK SECTION**, 13" x 25", allows for X-ray, fluoroscopy, C-arm and other radiologic procedures. Self-storing push bar swings down for unobstructed view of patient.
- **90° ROTATING SEAT** permits lateral and anterior-posterior (AP) imaging
- **QUICK CHANGE BATTERY (B)**
Two battery packs come with each chair allowing one battery to always be charging on wall-mount charger, included
- **HEAD, WIDE TORSO, LEG BELTS**
- **EXCEPTIONAL PATIENT POSITIONING** accomplished by hand held pendant for back, leg and low-high height adjustment. Includes an auto-contour button which automatically positions the chair from seated to the fully reclined position
- **CUSHIONED SIDE RAILS** that swing down and tuck away makes patient ingress and egress easier and safer.
- **CUSHIONS WITH MEMORY FOAM** for enhanced patient comfort
- **ALL METAL SURFACES** for a long durable life
- **MANUAL QUICK RELEASE BACK SECTION** for emergency CPR function
- **EASY MOBILITY** brake and steer caster system
- **AUTO-EXTENDING FOOT REST** improves patient comfort in all positions



Diagnostic Imaging
Speech Therapy
Mammography
Radiology
Rehabilitation Services

Base Options



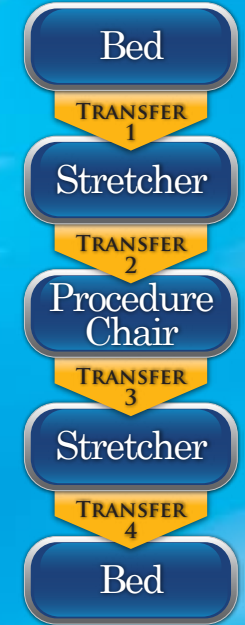
STANDARD WHEELBASE
30" / 76 CM

SHORT WHEELBASE
S- SHORT
26" / 66 CM

(RECOMMENDED FOR CERTAIN R/F TOWERS WITH STEEL PLATES ON THE FLOOR)

Thanks to motorized positioning, the TMM3 can reduce the number of inpatient transfers from four to two:

Old Method:



TMM3 Method:



Simple Lateral & A/P Views 90° Seat Rotation



Positioning Pendant



A - A/C PLUG-IN



E - EXPORT PLUG-IN

ALL TMM STRETCHER-CHAIRS COME IN BLUE FUSION II 4-WAY STRETCH FABRIC.
OPTIONAL COLORS, CUSTOM COLOR VINYL, AND ACCESSORIES ARE AVAILABLE FOR PURCHASE.
Visit our web site:
WWW.TRANSOTIONMEDICAL.COM